

# PSk2-40 CS-G200-24/4

## Solar Surface Pump System

### System Overview

Head	max. 22 m
Flow rate	max. 139 l/s

### Technical Data

#### Controller PSk2-40

- High efficiency solar pump controller
- Hybrid power (solar / grid / generator) support with LORENTZ SmartSolution
- Inputs for water meter, pressure sensors, digital switches
- Simple configuration with LORENTZ PumpScanner Android™ App
- Onboard data logging and system monitoring
- Inbuilt applications for constant pressure, constant flow and daily amount
- Integrated Sun Sensor
- Active temperature management
- Integrated MPPT (Maximum Power Point Tracking)

Power	max. 37 kW
Input voltage	max. 850 V
Optimum Vmp**	> 575 V
Motor current	max. 65 A
Efficiency	max. 98 %
Ambient temp.	-30...50 °C
Enclosure class	IP54

#### Motor AC DRIVE CS-G 30kW/4p

- Highly efficient 3-phase AC motor
- Frequency: 25...51 Hz

Efficiency	max. 86 %
Motor speed	740...1,510 rpm
Power factor	0.86
Insulation class	F
Enclosure class	IPX4

#### Pump End PE CS-G200-24/4

- Premium materials
- Optional: dry running protection
- Centrifugal pump

Efficiency	max. 85 %
------------	-----------

#### Pump Unit PUK2-40 CS-G200-24/4 (Motor, Pump End)

Water temperature	max. 90 °C****
Suction head	acc. to COMPASS sizing

### Standards



2006/42/EC, 2004/108/EC, 2006/95/EC

IEC/EN 61702:1995, IEC/EN 62253 Ed.1

The logos shown reflect the approvals that have been granted for this product family. Products are ordered and supplied with the approvals specific to the market requirements.

\*\*Vmp: MPP-voltage under Standard Test Conditions (STC): 1000 W/m<sup>2</sup> solar irradiance, 25 °C cell temperature

\*\*\*\*Special solutions available for >90 °C, please consult your distributor

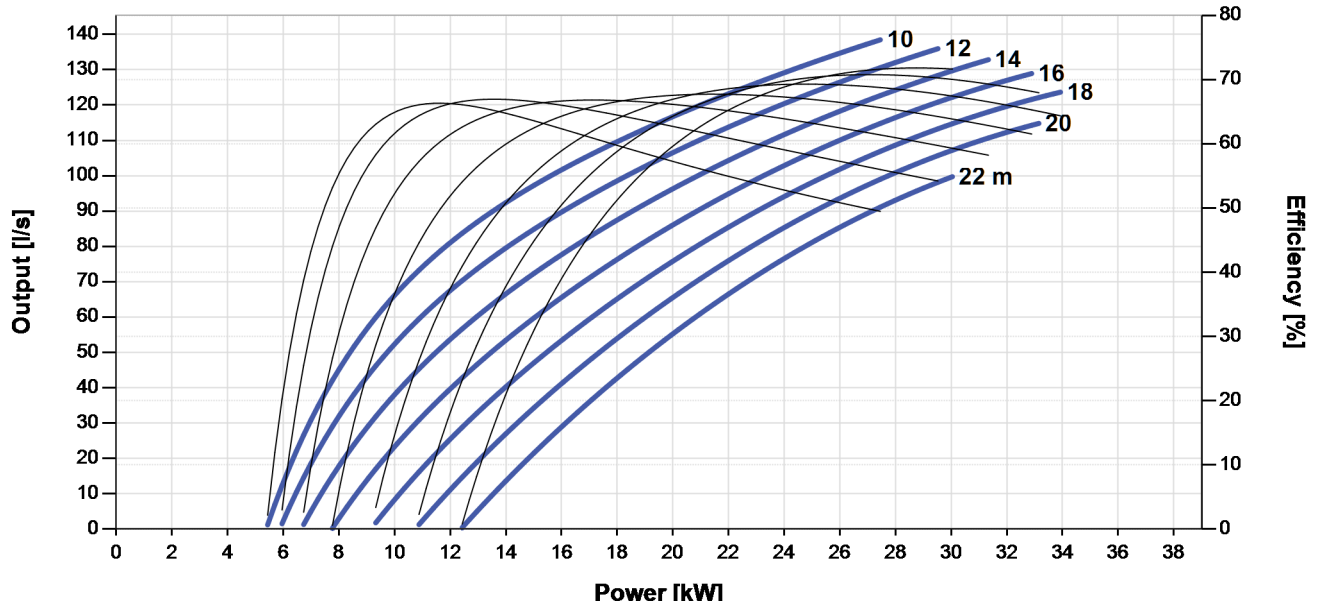


## PSk2-40 CS-G200-24/4

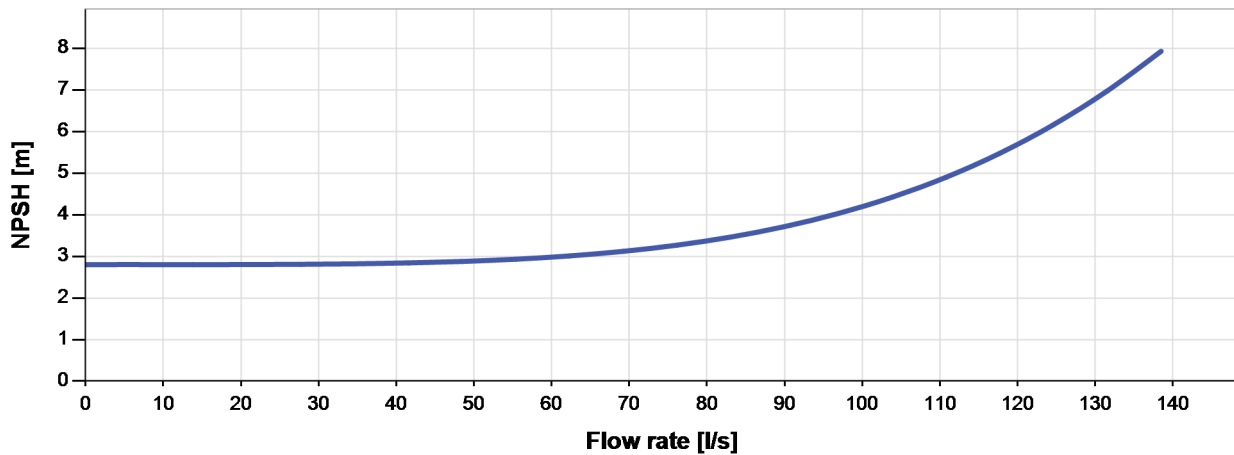
### Solar Surface Pump System

#### Pump Chart

Vmp\* > 575 V



#### NPSH



The NPSH (Net Positive Suction Head) is NOT the operating suction head. To calculate the operating suction head please refer to the installation manual.

\*Vmp: MPP-voltage under Standard Test Conditions (STC): 1000 W/m<sup>2</sup> solar irradiance, 25 °C cell temperature



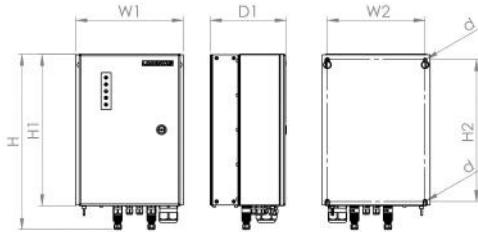
# PSk2-40 CS-G200-24/4

## Solar Surface Pump System

### Dimensions and Weights

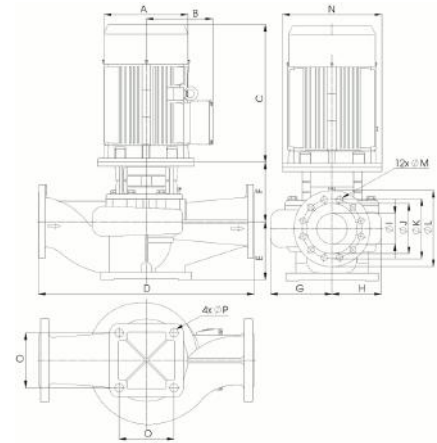
#### Controller

H = 500 mm  
 H1 = 450 mm  
 H2 = 421 mm  
 W1 = 320 mm  
 W2 = 290 mm  
 D = 9.0 mm  
 D1 = 226 mm



#### Pump Unit

A = 400 mm  
 B = 310 mm  
 C = 660 mm  
 D = 1,000 mm  
 E = 270 mm  
 F = 415 mm  
 G = 278 mm  
 H = 219 mm  
 I = 200 mm  
 J = 266 mm  
 K = 295 mm  
 L = 340 mm  
 M = 22 mm  
 N = 400 mm  
 O = 360 mm  
 P = 24 mm



	Net weight
Controller	18 kg
Pump Unit	492 kg
Motor	240 kg
Pump End	252 kg

